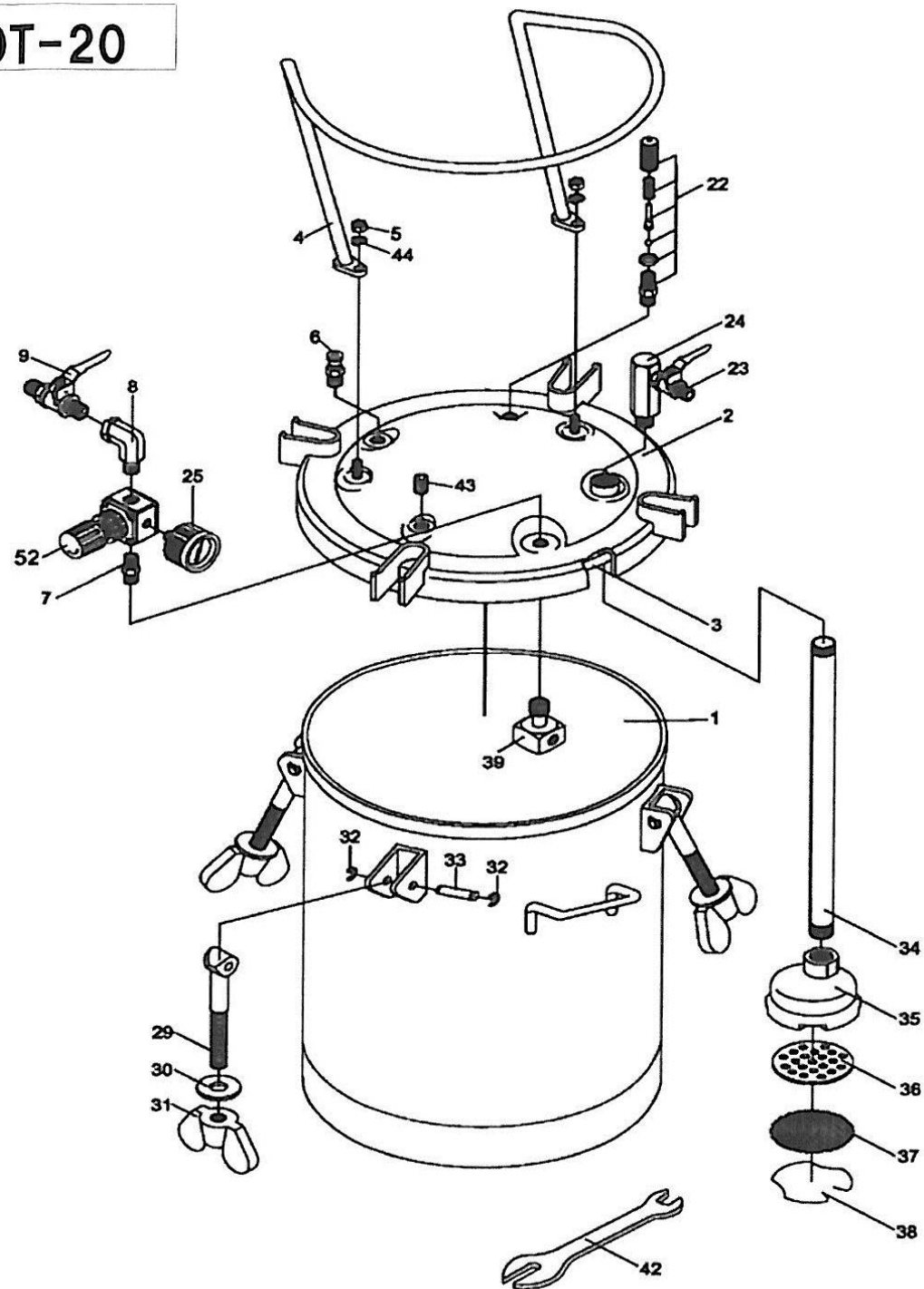


# COT-20

NO.	PART NO.	DESCRIPTION
1	N/A	MAIN BODY
2	N/A	LID
3	94015240	GASKET
4	N/A	HANDLE
5	94015140	HEXAGON NUT
6	94015150	RELEASE VALVE
7	94015160	ADAPTER
8	94015460	STREET ELBOW
9	94015170	AIR OUTLET COCK
22	94016390	SAFETY VALVE
23	94015450	MATERIAL OUTLET COCK
24	94015470	MATERIAL OUTLET ADAPTER
25	94015480	PRESSURE GAUGE
29	94015490	SWING BOLT
30	94016200	WASHER
31	94016210	WING NUT
32	94016220	C-SNAP RING
33	94016240	COTTER
34	94015260	FLUID TUBE
35	94015270	SUCTION FILTER BODY
36	94015280	SUCTION FILTER SUPPORT
37	94015290	FILTER
38	94015300	SUCTION FILTER RETAINER
39	94016310	AIR FLOW GUIDER
42	94016300	SPANNER
43	96990412	PLUG
44	96500804	SPRING WASHER
52	94020240	PRESSURE REGULATOR



ANEST IWATA Australia Pty Ltd  
 Unit3/10 Boden Road,  
 Seven Hills NSW 2147  
 Phone: 02 9853 2000 Fax: 02 9853 2090  
[www.anest-iwata.com.au](http://www.anest-iwata.com.au)