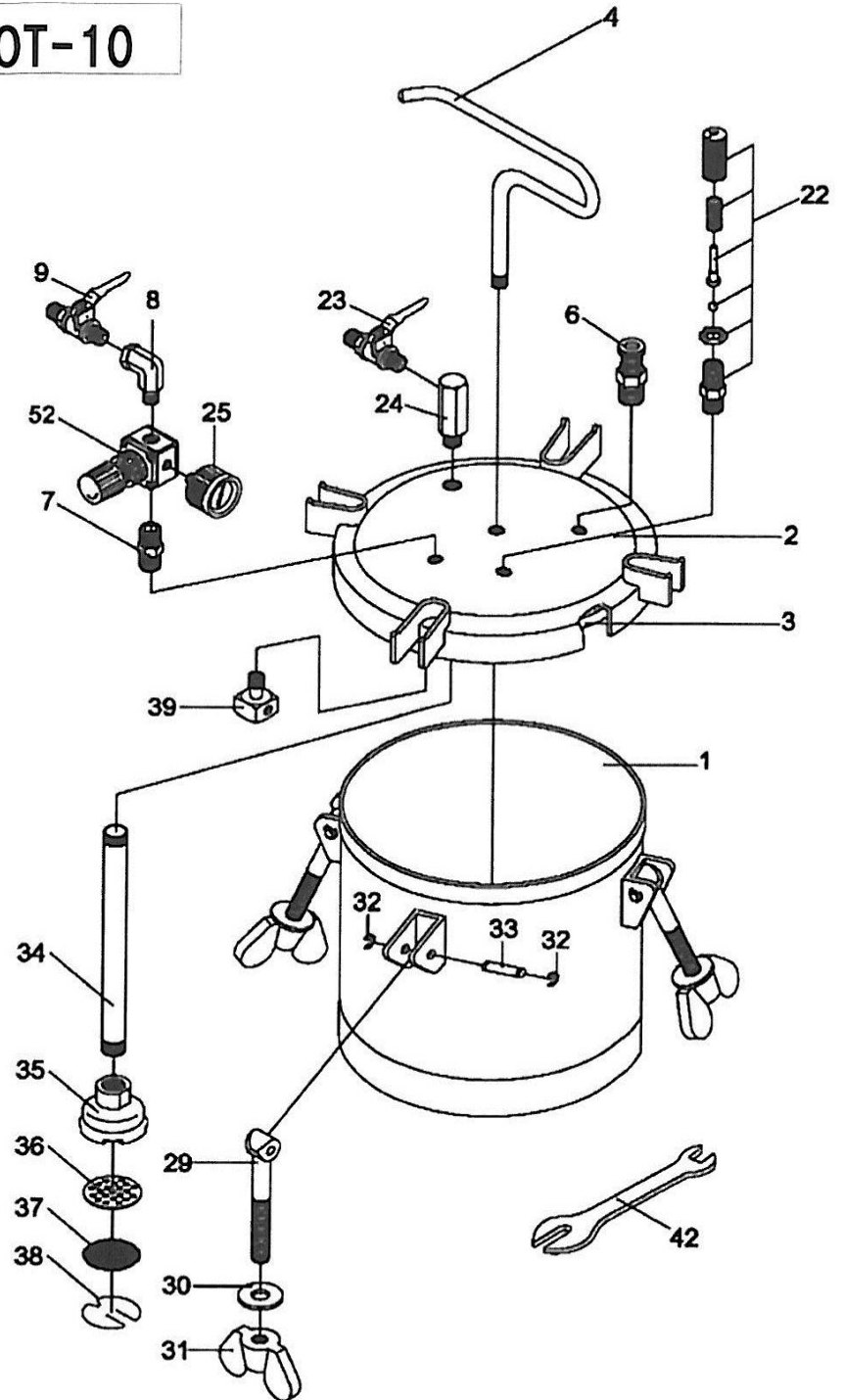


COT-10

NO.	PART NO.	DESCRIPTION
1	N/A	MAIN BODY
2	N/A	LID
3	94015110	GASKET
6	94015150	RELEASE VALVE
7	94015160	ADAPTER
8	94015460	STREET ELBOW
9	94015170	AIR OUTLET COCK
22	94016390	SAFETY VALVE
23	94015450	MATERIAL OUTLET COCK
24	94015470	MATERIAL OUTLET ADAPTER
25	94015480	PRESSURE GAUGE
29	94015490	SWING BOLT
30	94016200	WASHER
31	94016210	WING NUT
32	94016220	C-SNAP RING
33	94016240	COTTER
34	94016250	FLUID TUBE
35	94016260	SUCTION FILTER BODY
36	94016270	SUCTION FILTER SUPPORT
37	94016280	FILTER – 40 MESH
38	94016290	SUCTION FILTER RETAINER
39	94016310	AIR FLOW GUIDER
42	94016300	SPANNER
52	94020240	PRESSURE REGULATOR



ANEST IWATA Australia Pty Ltd
 Unit3/10 Boden Road,
 Seven Hills NSW 2147
 Phone: 02 9853 2000 Fax: 02 9853 2090
www.anest-iwata.com.au