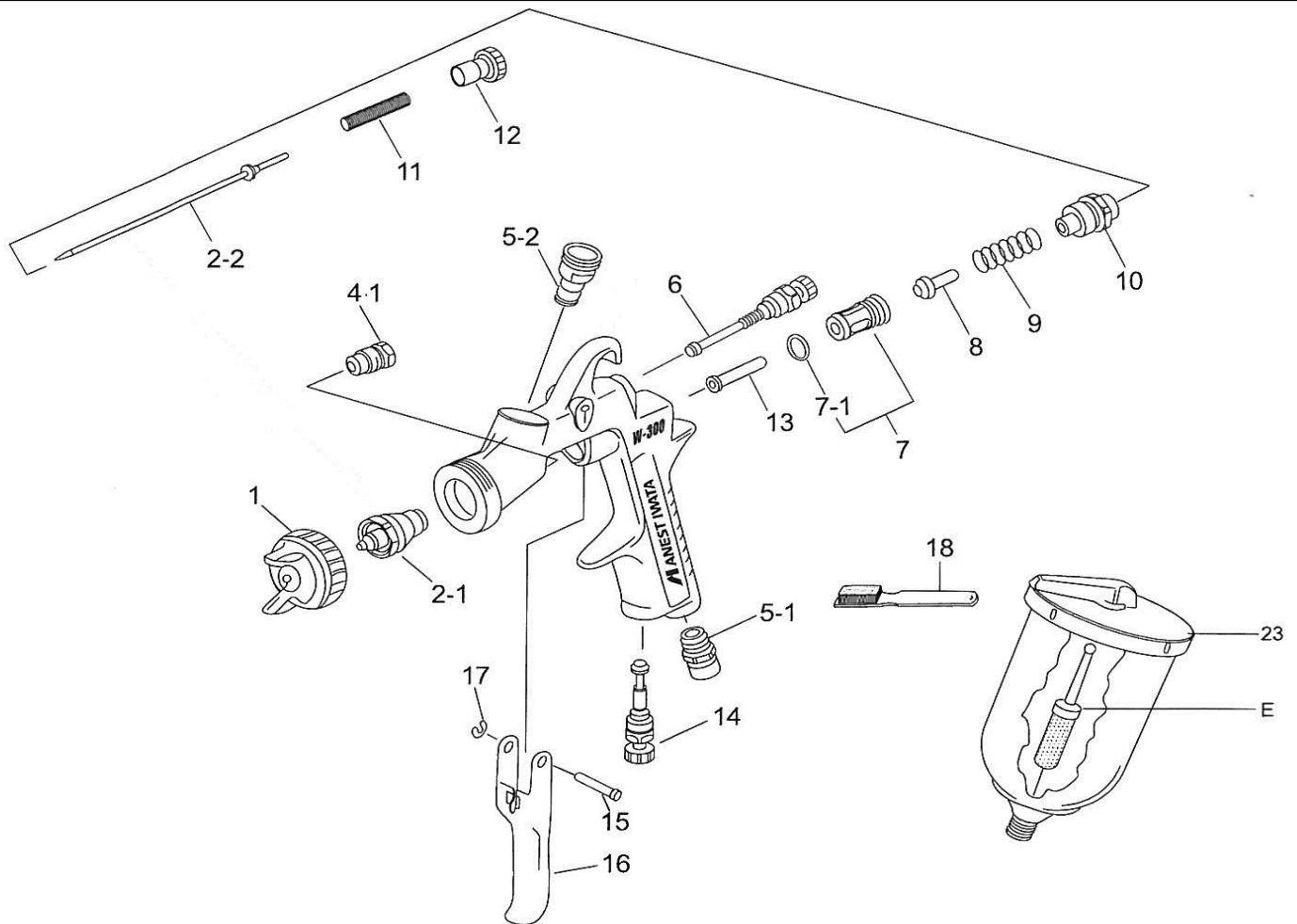


W300 Gravity Feed Spray Gun



ITEM NO.	PART NO.	DESCRIPTION	ITEM NO.	PART NO.	DESCRIPTION
1	93696610	Air Cap H2 1.3mm	13	93935430	Air Valve Shaft
1	93735610	Air Cap K1 1.0mm	14	93845531	Air Adj. Set
1a	93576530	Air Cap Cover Ring - Black #	15	93667360	Trigger Stud
1b	93608320	Air Cap Packing - White #	16	93597530	Trigger
2-1	93692610	Nozzle 1.0mm	17	93912030	E Stopper (Pkt 2) #
2-1	93667610	Nozzle 1.3mm	18	96990600	Brush
2-2	93537600	Needle 1.0mm	23	PCG.2AG	200ml Gravity Cup
2-2	93578530	Needle 1.3mm	E	SEL.30	Gravity Filter (Pkt 5)
4-1	93765610	Needle Packing with Nut #		W300RSK	Reservice kit includes items marked #
5-1	93660300	Air Nipple			
5-2	93575620	Fluid Nipple			
6	93577620	Pattern Adj. Set			
7	93843530	Air Valve Seat Set			
7-1	96638008	O Ring #			
8	93591530	Air Valve			
9	93719530	Air Valve Spring			
10	93844532	Fluid Adj. Set			
11	93593530	Fluid Needle Spring			
12	93594532	Fluid Adj. Knob			

Updated: June 2013